

**AMELIA
58" ACRYLIC
ROLL TOP TUB**

Cat. No.
ATR7H58



L: 58"
W: 30 1/2"
H: 23"

Water depth: 10 1/2" to overflow

The following is recommended for ATR7H tubs:

- Rim-mounted faucets: part #4601 or 7529
- Straight bath supplies: part #5577
- Leg tub drain: part #5599

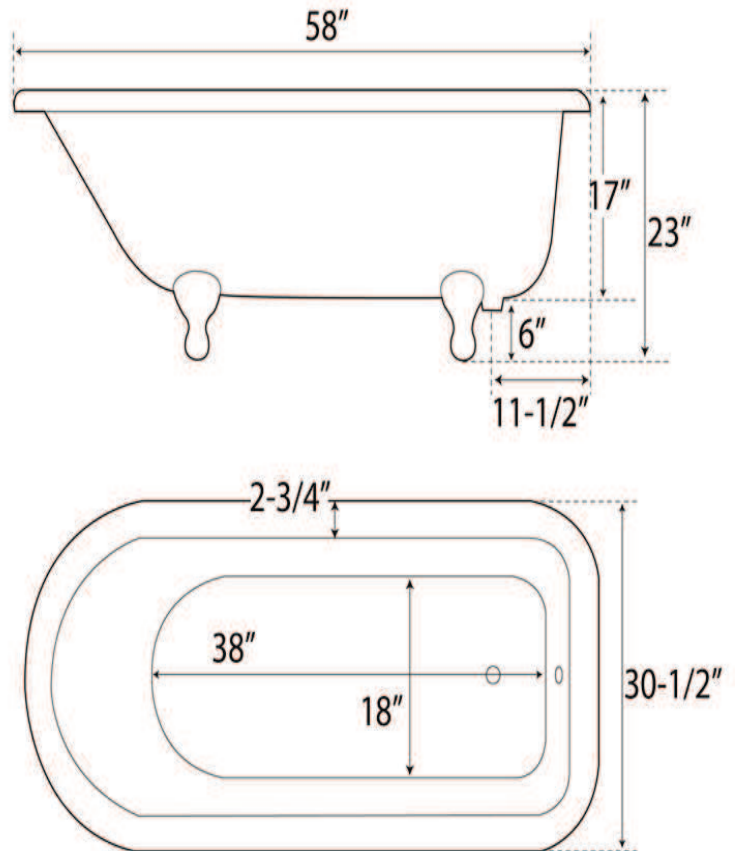
Gallon Capacity: 31
Shipping Weight: 375 lbs.
Empty Weight: 150 lbs.
Filled Weight: 409 lbs.

Features:

- ▶ Acrylic construction for lighter weight
- ▶ Sloped backrest for comfort
- ▶ Ball and claw feet available in 4 finishes
- ▶ 7" centers in tub deck
- ▶ Tub feet are attached and leveled before shipment.
- ▶ Tub is thoroughly inspected before shipment

Feet Finishes:

BN Brushed Nickel **PB** Polished Brass
CP Polished Chrome **ORB** Oil Rubbed Bronze



Dimensions of fixture are nominal and specifications subject to change without notice.