

**COLLIER
70" ACRYLIC DOUBLE
ROLL TOP TUB**

Cat. No.
ATDR7H70I



L: 70"
W: 31 3/4"
H: 23 3/4"

Water depth: 16 1/4" to top of tub

The following is recommended for ATDR7H70I tubs:

- Rim-mounted faucets: part #4601 or 7529
- Straight bath supplies: part #5577
- Leg tub drain: part #5599E

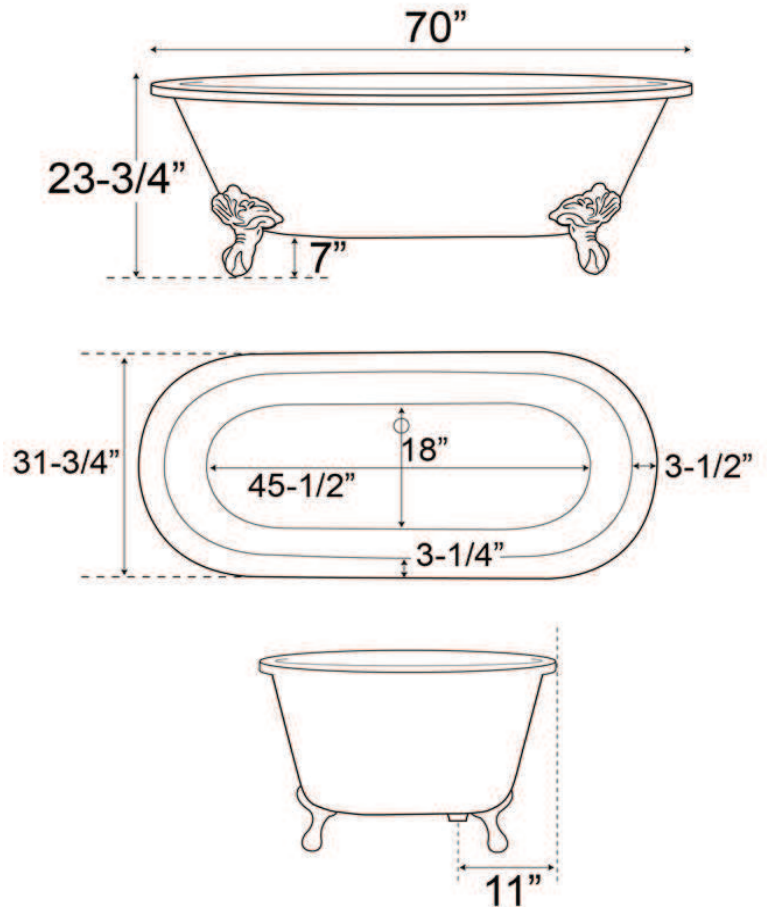
Gallon Capacity: 57
Shipping Weight: 425 lbs.
Empty Weight: 200 lbs.
Filled Weight: 676 lbs.

Features:

- ▶ Interior and exterior walls acrylic sheets
- ▶ Space between walls partially filled with fiberglass & resin
- ▶ Imperial feet available in 4 finishes
- ▶ 7" centers in tub deck
- ▶ Tub feet are attached and leveled before shipment.
- ▶ Tub is thoroughly inspected before shipment

Feet Finishes:

BN Brushed Nickel **PB** Polished Brass
CP Polished Chrome **ORB** Oil Rubbed Bronze



Dimensions of fixture are nominal and specifications subject to change without notice.