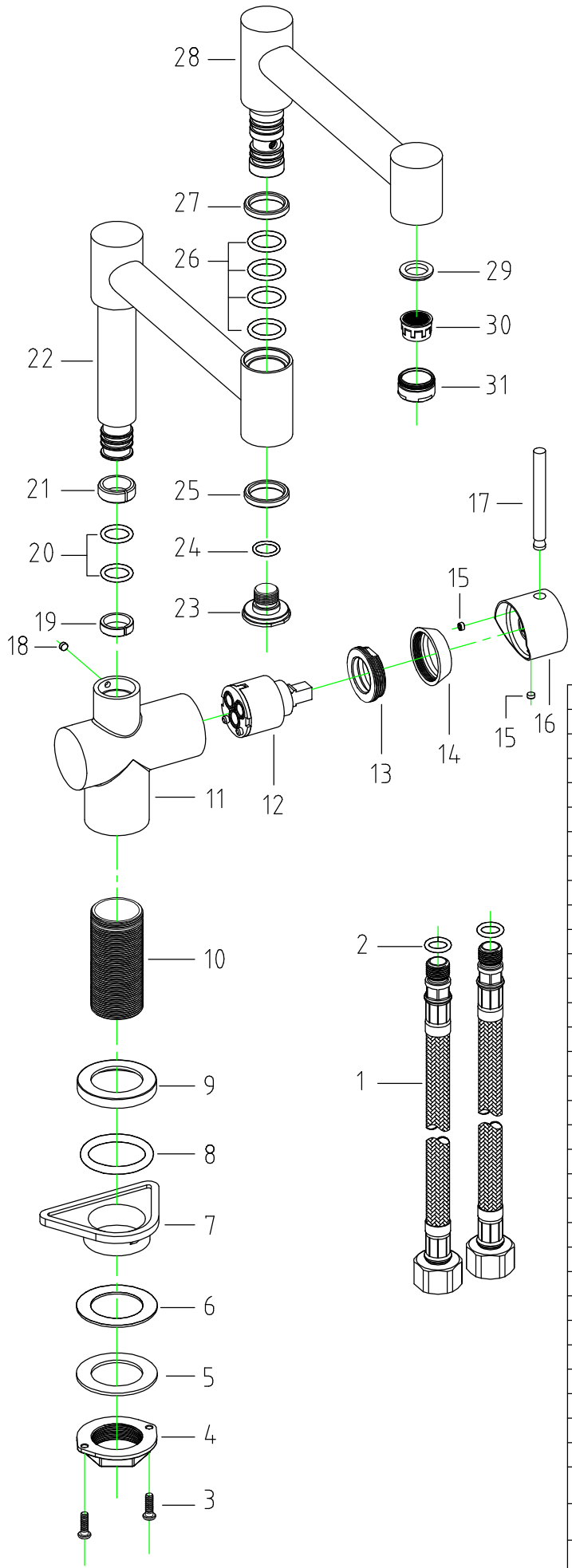


Scale 1:0.25



31	V140A	aerator cover	1	φ24.2	L13	304	brushed
30	40100500002	aerator	1	M24×1		plastic	DVGW
29	TJP-230150550	gasket	1	φ23×φ15×5.5		dingqing	black
28	GT2038-03/H	spout	1	φ25		304	brushed
27	GT2038-04	gasket	1	φ29.4		plastic	black
26	OXQ-160300-NJ	O ring	4	φ16×3		dingqing	black
25	GT2038-04	gasket	1	φ29.4		plastic	black
24	OXQ-140200-NJ	O ring	1	φ14×2		dingqing	black
23	GT2038-06	screw	1	M16×1.25		304	brushed
22	GT2038-02/H	spout	1	φ25		304	brushed
21	V811	underneath pipe	1	φ24.4		plastic	white
20	OXQ-160250-NJ	O ring	2	φ16×2.5		dingqing	blue
19	V812	plastic sleeve	1	φ21.8		plastic	white
18	LS-050050N-B	screw	1	M5	L5	304	remove burr
17	V813	handle lever	1	φ8	L55	304	brushed
16	V458	handle cover	1	φ42		304	brushed
15	LS-050040N-A	screw	2	M5	L4	304	remove burr
14	V459	fixed cover	1	M34×1		304	brushed
13	V460	screw nut	1	M37×1	M34×1	304	brushed
12	K 35 A	cartridge	1	35#		ceramic	KEROX
11	GT2037-01/H	body	1	M34×1.5		304	brushed
10	V115	screw nut	1	M34×1.5		304	remove burr
9	V463A	base	1	φ52		304	brushed
8	OXQ-480525-WJ	O ring	1	φ48×5.25		dingqing	black
7	V814	plastic base	1	φ37.5		plastic	white
6	PDP-530340200	rubber ring	1	φ53×φ34.5×2		rubber	black
5	V125	gasket	1	φ53×φ34.5×1.5		304	remove burr
4	V122	screw nut	1	M34×1.5		304	remove burr
3	LS-050160S-B	screw	2	M5	L16	304	remove burr
2	OXQ-080180-NJ	O ring	2	φ8×1.8		dingqing	black
1	JSG-G3/8M10500-1	flexible hose	2	M10×1	L500	304	KTW

NO	Parts models	Name of parts	QTY	Specifications	Material	Remarks
	Series name		Drawing people	Stronge Zeng	inspector	Norman Yang
	Customer number		Factory nuber	GT2038	date	2014-12-26
	Product name	Sink Mixer			Editions	A

Gettai Sanitary Products Co., Ltd