



#2163 Shown

Sandringham Cast Iron Bath

#2162 | 70 1/8" L x 31 1/2" W x 23" H
401 lbs, 63 Gallons

Cheviot Products' cast iron bathtubs are hand-made in Europe with the finest materials. Fired with a thick coating of AA grade titanium-based enamel for unparalleled hardness and non-porosity, the extremely durable surface is easy to clean and resistant to stains, bacteria and other microbes. Cast iron also keeps your bath warm for the longest possible time.

Rim Configuration

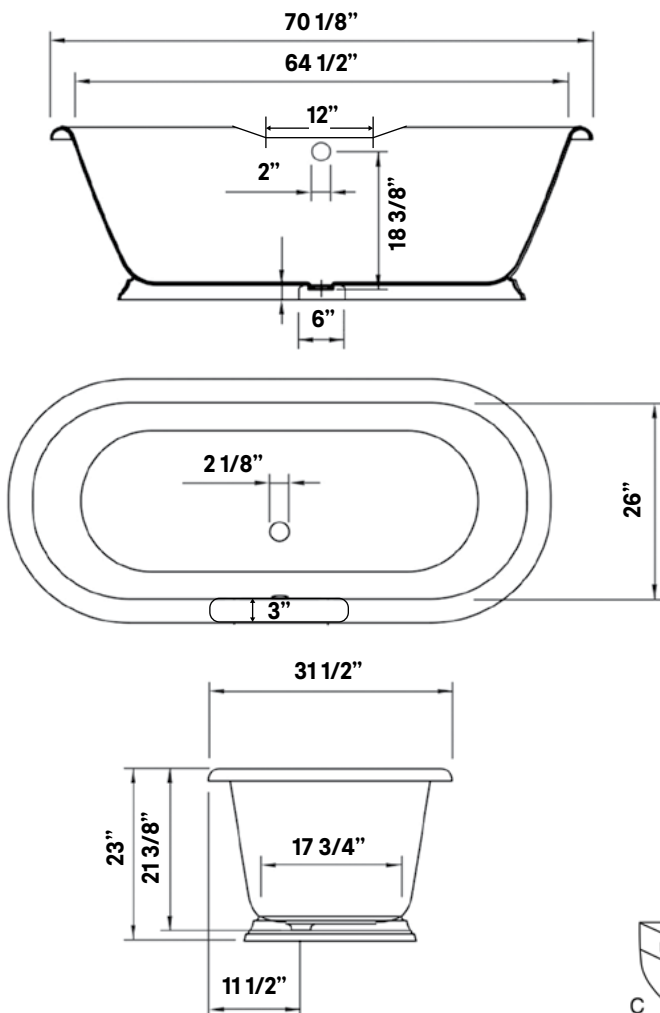
Flat Area for Faucet holes.
Please specify c.c. measurement.

Colours

White Interior & Exterior
White Interior & Custom
Colour Exterior

Note

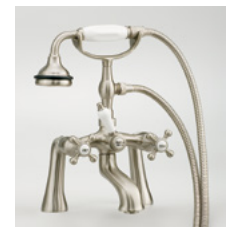
Rough-in dimensions may vary +/- 1/2" and are subject to change.
No responsibility is assumed by Cheviot Products Inc.
One Year Limited Warranty against manufacturer's defects.



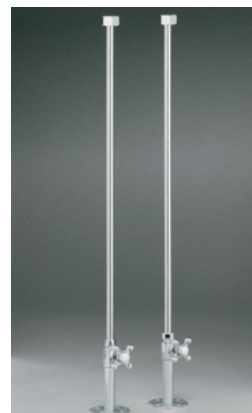
Related Products



#5127 Tub Filler
with Hand Shower



#5106 Tub Filler
with Hand Shower



#3411 Water
Supply Lines



#2222 Waste &
Overflow



Sandringham Cast Iron Bath

#2163 | 70 1/8" L x 31 1/2" W x 23" H
401 lbs, 63 Gallons

Cheviot Products' cast iron bathtubs are hand-made in Europe with the finest materials. Fired with a thick coating of AA grade titanium-based enamel for unparalleled hardness and non-porosity, the extremely durable surface is easy to clean and resistant to stains, bacteria and other microbes. Cast iron also keeps your bath warm for the longest possible time.

Rim Configuration

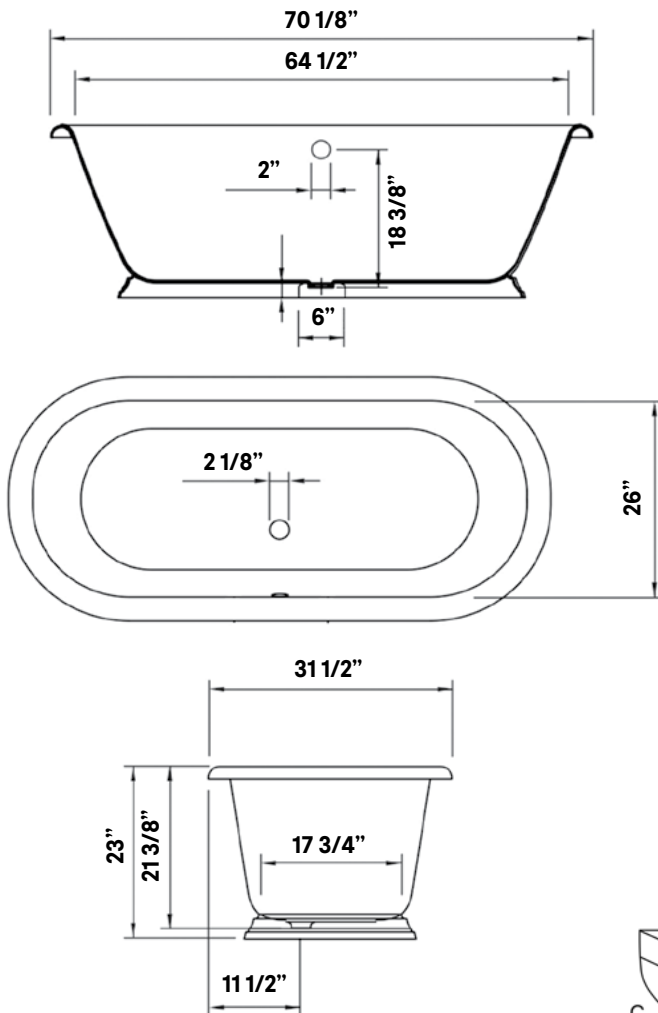
Continuous Rolled Rim

Colours

White Interior & Exterior
White Interior & Custom
Colour Exterior

Note

Rough-in dimensions may vary +/- 1/2" and are subject to change.
No responsibility is assumed by Cheviot Products Inc.
One Year Limited Warranty against manufacturer's defects.



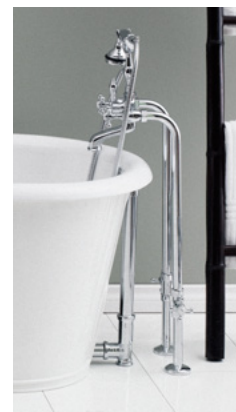
Related Products



#7550 Contemporary
Free-Standing Tub Filler with
Hand Shower



#2222 Waste &
Overflow



#3970 Heavy Duty
Water Supply Lines



#3980 Heavy Duty
Water Supply Lines