

**Axor Starck**  
**Axor Starck Freestanding Tub Filler Trim**  
 Finishes : **Chrome** Part no. : **10456001**



## Description

### Features

- Flow: 5.8 GPM
- Ceramic cartridge
- Solid brass
- Tub spout with diverter

### Comprised of

- Axor Starck 2-Jet Handshower (#28532USA)
- Techniflex Hose with Cylindrical Nut, 49" (#28282XXX)

### Required accessories

- Rough, Axor Starck Freestanding Tub Filler (#10452USA)

### Optional accessories

- In-line Pressure Balance Valve (#13418USA)

## Item details

List Price \$ 1,948.00

## Technology



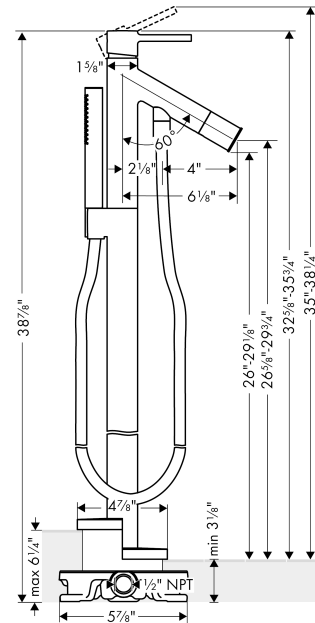
## Compliance



## Product image



## Scale drawing



**Axor Starck**  
**Axor Starck Freestanding Tub Filler Trim**  
 Finishes : **Brushed Nickel** Part no. : **10456821**



## Description

### Features

- Flow: 5.8 GPM
- Ceramic cartridge
- Solid brass
- Tub spout with diverter

### Comprised of

- Axor Starck 2-Jet Handshower (#28532USA)
- Techniflex Hose with Cylindrical Nut, 49" (#28282XXX)

### Required accessories

- Rough, Axor Starck Freestanding Tub Filler (#10452USA)

### Optional accessories

- In-line Pressure Balance Valve (#13418USA)

## Item details

List Price \$ 2,826.00

## Technology



## Compliance



## Product image



## Scale drawing

