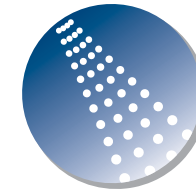




# PULSE

SHOWERSPAS

GL  
KIHEI



# PULSE

SHOWERSPAS

**Kihei GL Showerspa**  
**Model #1013 GL**  
*Installation Instructions*



# Kihei GL ShowerSpa Model #1030

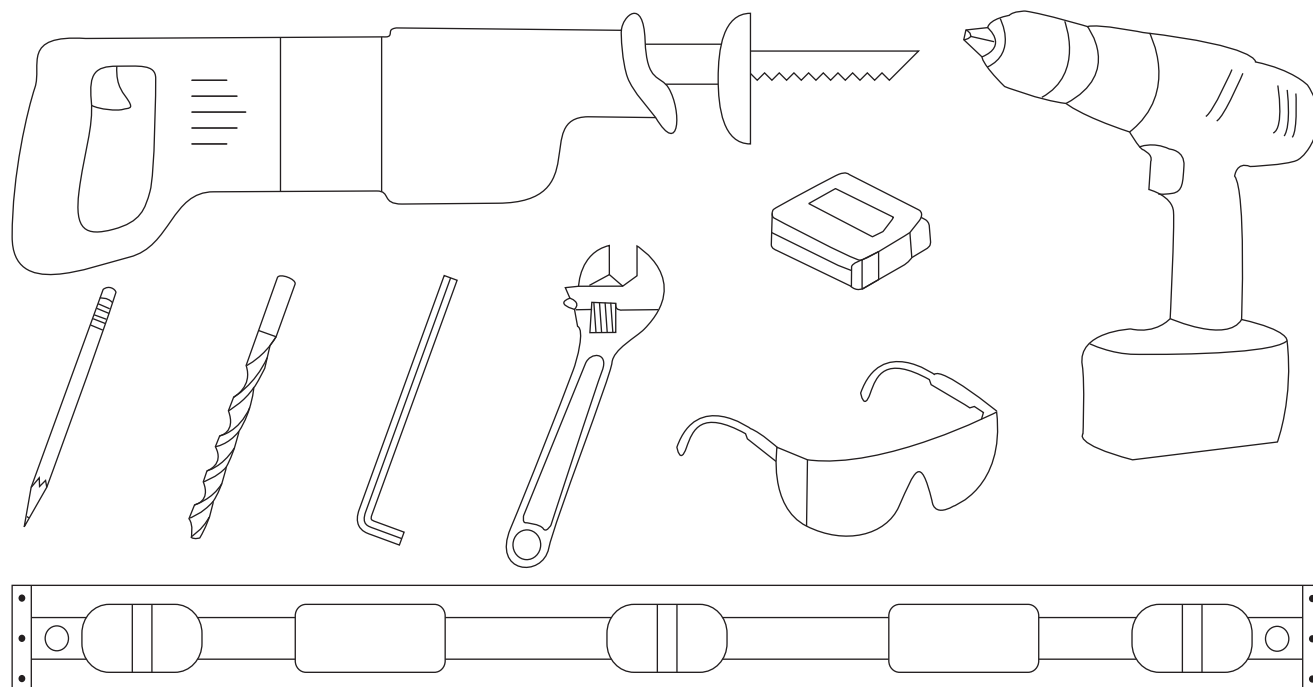
## Please Read The Following Instructions COMPLETELY Before Beginning!

Our goal is to ensure your installation goes smoothly and safely. Please read these instructions carefully and follow recommendations for plumbing and mounting. **After reading instructions, if you determine you do not have the necessary skills and/or tools, we recommend that a licensed plumbing contractor complete the installation.**

**If you encounter any problems during installation  
CALL TECHNICAL SUPPORT  
TOLL FREE at 888-785-7320  
Before returning your ShowerSpa to the store**

### You Will Need The Following Tools

Soft pencil or felt pen to mark tile	Reciprocating saw w/metal cutting blade (Sawzall®)
4mm allen wrench	Channel locks or adjustable wrench
Safety glasses	Drill (Preferably cordless)
Tape measure	¼" Masonry drill bit
Level	



## Care and Maintenance

Always blot dry any water from the surface of your ShowerSpa. To help protect your ShowerSpa from hard water stains and mineral deposits, use an auto spray wax periodically and wipe down your ShowerSpa after each use. Allowing water to evaporate on the surface can lead to a buildup of mineral deposits. Cleaning with a damp, nonabrasive sponge and drying with a clean soft cloth should help keep your ShowerSpa looking beautiful.

### R E M E M B E R

*Never use any abrasives or harsh cleaners!*

*Clean with Mild Soap and Water ONLY!*

*To keep your ShowerSpa in pristine condition, dry after each use.*

## Manufacturer's Limited Warranty

PULSE Shower Spas, Inc. warrants that all ShowerSpas are free from defect in workmanship and/or materials for a period of three years from the date of purchase. This warranty extends to the original purchaser only and is non-transferable.

This warranty does not cover, and PULSE ShowerSpas will not pay for conditions, malfunctions or damages resulting from (1) normal wear and tear, improper installation (whether performed by a contractor, service company or the consumer), improper maintenance, misuse, abuse, negligence, accident or alteration; (2) the use of abrasive, caustic or "no-rinse" cleaning agents; (3) the use of the product in any manner contrary to the product instruction; (4) conditions in the home such as excessive water pressure or corrosion.

Should any ShowerSpa be determined by PULSE ShowerSpas, Inc. to be defective in normal residential use, at the option of PULSE ShowerSpas, Inc., such product shall either be replaced or repaired and returned to the customer free of defects. The consumer shall give notice of any defects to PULSE ShowerSpas, Inc. within thirty days of discovery of such defect.

Proof of purchase (original sales receipt) must be provided to PULSE Shower Spas, Inc. with all warranty claims. PULSE ShowerSpas, Inc. is not responsible for labor charges, removal charges, installation or other consequential costs. In no event shall the liability of PULSE ShowerSpas, Inc. exceed the purchase price of the ShowerSpa.

Some states/provinces do not allow limitations of how long an implied warranty lasts or the exclusion or limitation of such damages, so these limitations and exclusions may not apply to you. This warranty gives the consumer specific legal rights. You may also have other rights that vary from state/province to state/province.

Follow manufacturers recommended installation. Use caution with children under ten years of age. Do not use ShowerSpa as a support device. Do not use harsh chemicals or abrasives when cleaning. Turn water supply off when servicing your ShowerSpa.

# Installation – Retrofit

## Existing Shower Replacement

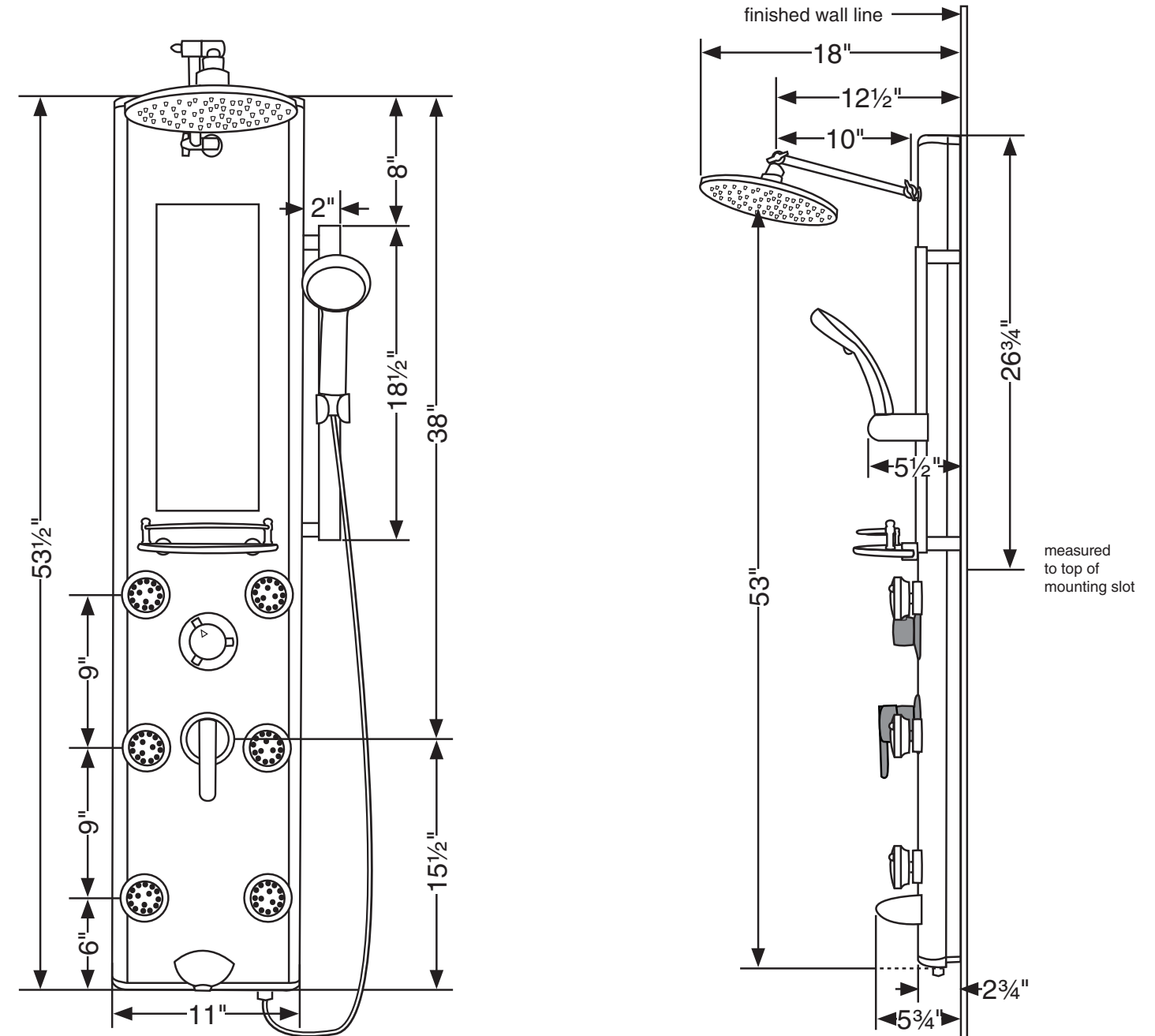
**NOTE**—In a re-model in which you are not replacing the finished wall surface (tile, or backing material) it is advisable to purchase a PULSE ShowerSpa model that covers the location of existing valve assembly—either single handle or two-handle type. If your PULSE ShowerSpa model does not cover this area, you will need to either choose another PULSE ShowerSpa model that does or make necessary repairs with appropriate materials (i.e. wallboard, tile, fiberglass, etc).

1. **TURN OFF WATER SUPPLY TO SHOWER.** Typically there is a gate valve where the water main enters the house. Turning the water valve off at hot water tank does not turn off cold water supply line.
2. Make certain water is completely turned off to both hot & cold supply lines of Shower. Turn shower valve on, both hot and cold, to verify water supply is **OFF**. Open a sink faucet in the bathroom in which you are installing the ShowerSpa to relieve any pressure and help adequately drain shower supply lines.
3. Remove handle(s) and trim cover(s) of your existing valve exposing valve body in wall.
4. Locate hot and cold supply lines entering valve. Using a reciprocating saw with sharp metal saw blade, cut existing valve out, preserving threads of the supply lines entering valve. You should also cut the riser within wall supplying the existing shower head. Carefully twist and remove valve.
5. Unscrew old shower head from shower arm and then unscrew shower arm from the wall.
6. Water lines must be extended to the outside of wall cavity, 4" on center. For best results, attach 90° brass fittings (available at most hardware stores) to the stub-outs maintaining ¼" – ½" of space between the fitting and finished wall. The open end of the 90° brass fittings should point down so the supply lines attach parallel to the wall.<sup>4</sup>
7. Make certain when you connect to the stub-outs they **DO NOT INTERFERE** with the backside of the ShowerSpa after mounting.<sup>5</sup>
8. Mark the location of holes for the mounting bracket, making sure bracket is level. For a person 5'8" – 6'2" tall, we recommend 53½" from finished floor height.<sup>5</sup> Before drilling holes for bracket, make certain ShowerSpa will rest flat against finished wall surface at desired mounting height with supply lines connected.
9. Drill ¼" holes through wall surface using a masonry bit. Drill slowly through wall surface to avoid cracking and chipping. Insert anchors and securely screw brackets to wall. Before connecting hot and cold supply lines, hang the ShowerSpa on wall, check the height and make sure the ShowerSpa is flush against the wall with a secure fit.
10. Connect hot and cold water supply lines to stub-outs—**DO NOT OVER-TIGHTEN**. Before mounting the ShowerSpa, check fittings to make sure they are secure. Turn on water and check for leaks. When fittings are leak-free, mount ShowerSpa on wall.
11. **OPTIONAL**—Seal around body of ShowerSpa with a bead of silicone. **DO NOT SEAL BOTTOM.**

<sup>4</sup> Additional fittings may be necessary depending on your specific situation.

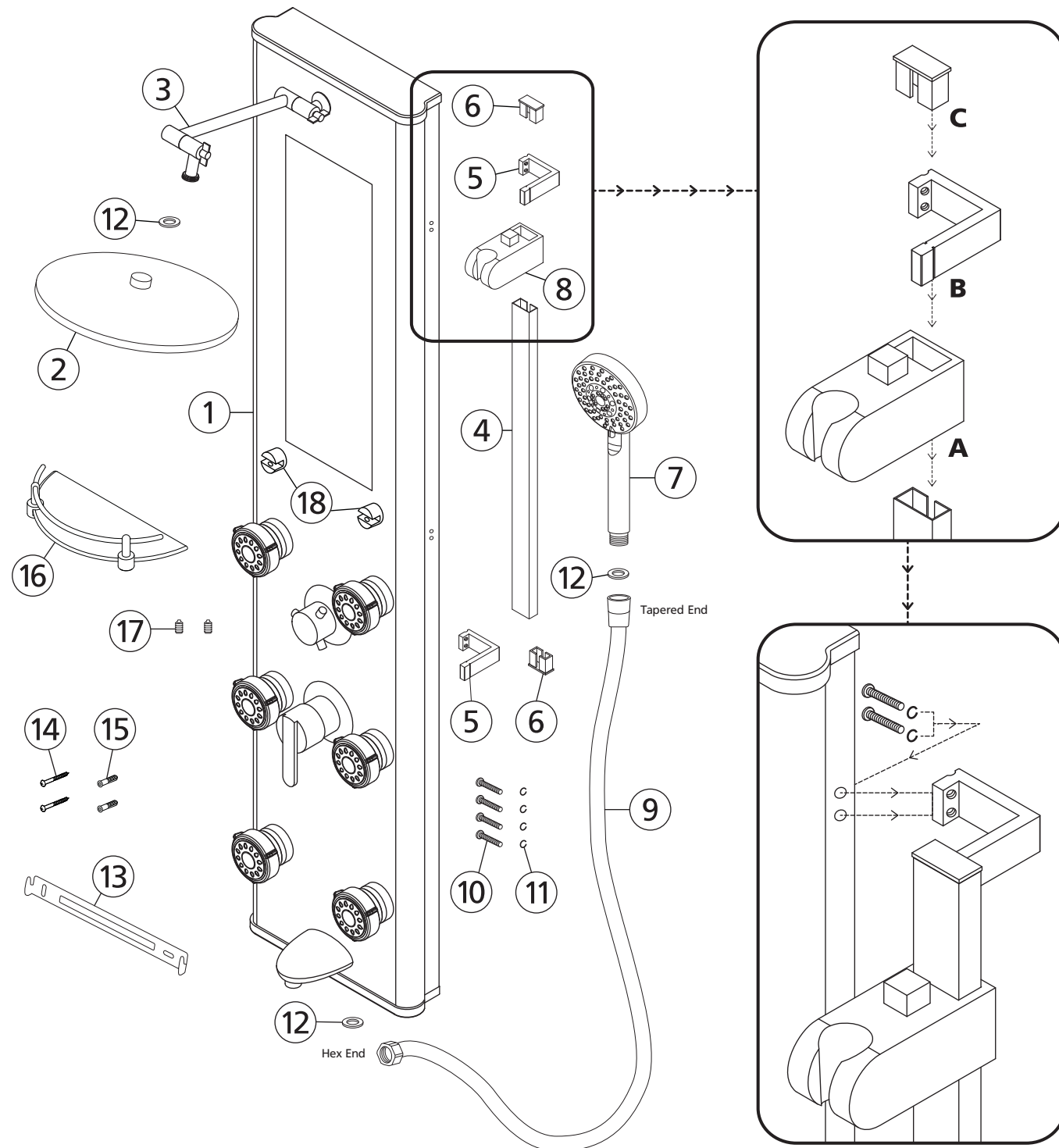
<sup>5</sup> The mounting height can vary depending on several factors (i.e. location of supply lines, old valve access area, interference from ShowerSpa plumbing, personal preference, etc).

# Kihei GL ShowerSpa Product Dimensions



# Kihei GL ShowerSpa Parts Legend

- |                               |                             |                               |
|-------------------------------|-----------------------------|-------------------------------|
| 1. ShowerSpa                  | 7. Handheld Shower          | 13. Mount Bracket             |
| 2. Shower Head                | 8. Handheld Holder          | 14. Mounting Screw..... (2)   |
| 3. Shower Arm                 | 9. Handheld Hose            | 15. Nylon Anchor..... (2)     |
| 4. Slide Bar                  | 10. Machine Screw ..... (4) | 16. Glass Shelf               |
| 5. Slide Bar Bracket .... (2) | 11. Lock Washer ..... (4)   | 17. Shelf Set Screw ..... (2) |
| 6. Slide Bar Cap..... (2)     | 12. Rubber Washer..... (3)  | 18. Shelf Mounts ..... (2)    |



# Kihei GL ShowerSpa Assembly

After unpacking your ShowerSpa, some assembly is required prior to installation.

## Slide Bar assembly Refer to exploded line drawing for reference.

1. With slide bar (4) in hand, position bracket (5) with screw hole pointing left and insert into slide bar. Push cap (6) into slide bar until securely in place.
2. Insert bracket (5) into top slot of slide bar making sure top and bottom bracket face the same direction and secure the top slide bar cap into place.
3. Align the assembled slide bar with pre-drilled holes located on the right side of ShowerSpa and secure with provided machine screws and lock washers.

## After the unit is mounted to the wall

1. Insert rubber washer (12) into hexagon shaped end of handheld hose (9) and attach to threaded outlet on bottom of ShowerSpa. **DO NOT OVER-TIGHTEN.**
  2. Insert rubber washer (12) into tapered end of hand shower hose and attach to hand shower (7). **DO NOT OVER-TIGHTEN.** Insert handheld shower into holder on slide bar.
- NOTE**—To adjust angle of handheld shower gently rotate toward you or toward the wall. For vertical adjustment simply depress the button and slide holder up or down.
3. Insert rubber washer (12) in Shower head and screw shower head onto the adjustable shower arm.
- NOTE**—To re-position shower arm loosen wing nuts and move to desired position then re-tighten wing nuts.
4. Insert set screws (17) on the under side of shelf mounts (18). Position glass shelf (16) into shelf mounts (18) and hold in place. Gently tighten set screws until shelf is secure and does not slip out. **DO NOT OVER-TIGHTEN SCREWS.**

# Installation—New Construction

## Extensive Remodel—New Finished Wall Surface

1. Prior to sheetrock, stub-out ½" hot and cold supply lines beyond finished wall surface, 4" on center. For best results, attach 90° brass fittings (available at most hardware stores) to the stub-outs maintaining ¼" – ½" of space between the fitting and finished wall. The open end of the 90° brass fittings should point down so the supply lines attach parallel to the wall.<sup>1</sup>
2. The height of the stub-outs is completely dependent upon the desired mounting height of your Kihei GL ShowerSpa. For a person 5'8" – 6'2" we recommend the stub-outs be 37" from finished floor.<sup>2</sup>
3. After finished wall surface has been completed, make certain water is completely turned off to both hot & cold supply lines of the Shower.
4. Mark the location of holes for the mounting bracket, making sure bracket is level. For a person 5'8" – 6'2" tall, we recommend 53½" from finished floor height.<sup>3</sup> Before drilling holes for bracket, make certain ShowerSpa will rest flat against finished wall surface at desired mounting height with supply lines connected.
5. Drill ¼" holes through wall surface using a masonry bit. Drill slowly through wall surface to avoid cracking and chipping. Insert anchors and securely screw brackets to wall. Before connecting hot and cold supply lines, hang the ShowerSpa on wall, check the height and make sure the ShowerSpa is flush against the wall with a secure fit.
6. Connect hot and cold water supply lines to stub-outs—**DO NOT OVER-TIGHTEN.** Before mounting the ShowerSpa, check fittings to make sure they are secure. Turn on water and check for leaks. When fittings are leak-free, mount ShowerSpa on wall.
7. **OPTIONAL**—Seal around body of ShowerSpa with a bead of silicone. **DO NOT SEAL BOTTOM.**

<sup>1</sup> Additional fittings may be necessary depending on your specific situation.

<sup>2</sup> The desired mounting height of ShowerSpa determines height of the ½" stub-outs. The stub-outs must be located at a height allowing supply lines to be connected and body of ShowerSpa to rest flat against finished wall.

<sup>3</sup> The mounting height may vary depending on several factors (i.e. location of supply lines, interference from ShowerSpa plumbing, personal preference, etc.)