

Actual Size: 32" x 60" x 40" • (81 cm x 152 cm x 102 cm)

Seat Width: 23" & 24.5" • (58 cm & 62 cm)

Shipping Size: 34" x 62" x 50" • (86 cm x 157 cm x 127 cm)

Net Weight: 251 lbs. • (113 kg)

Shipping Weight: 300 lbs. • (136 kg)

Drainage Time: +/- 130 seconds at ideal plumbing conditions (unoccupied)

Included Features:

1. Acrylic Tub Shell
 - Gloss white finish
 - Fiberglass gelcoat reinforced
2. Stainless steel frame with adjustable leveling Legs.
3. Inward swinging removable brushed stainless-steel door with a frosted tempered glass.
4. Each drain has two (2) 2-inch outlets, one overflow and a stainless steel cable operated opener with an extended handle in chrome finish.
5. Two (2) front and one (1) end reversible removable access panel.
6. Stainless Steel 16" (41cm) towel bar
7. Removable swivel tray in a white matte finish.
8. Digital control pad, and push controls for Hydro + Hydro option

Jetting & Therapy Options:

1. Air + Hydro + Hydro/Foot Massage
(Multicolor LED Light Included)
2. Air + Hydro + Hydro/Foot Massage + Microbubble
(Multicolor LED Light Included)



Jetting Options

Hydro Massage

- Hydro Massage Pump
- Hydro Massage Intensity Dial Control
- Ozone Sterilization
- 14 upper jets (hips and back) & 6 lower jets (feet and calves)
- On/Off Push Control

Hydro Foot Massage

- 1 Hydro Massage Pumps
- 2 Hydro Massage Intensity Dial Controls
- Ozone Sterilization
- 6 lower jets (feet and calves) & 14 upper jets (hips and back)
- On/Off push control
- In-Line Water Heater

Air Massage

- Air Massage Pump
- 3 Speed Pump
- Auto-purge (Activates 20 minutes after pump shutdown)
- 10 upper Jets (hips and back) & 6 lower jets (feet and calves)
- On/Off push control

Microbubble Therapy

- Air Pressure Pump
- Pressure Tank
- On/Off push control

Faucet Options

Two-Piece Fast Fill Faucet

- Up to 10 16 GPM @ 60 PSI an ideal in-home plumbing conditions
- Two 5' water supply lines with 3/4" connectors
- Pull out, hand held, chrome plated hand shower with a 5' ft. retractable stainless steel braided hose



Optional Features

Heated Seat and Backrest

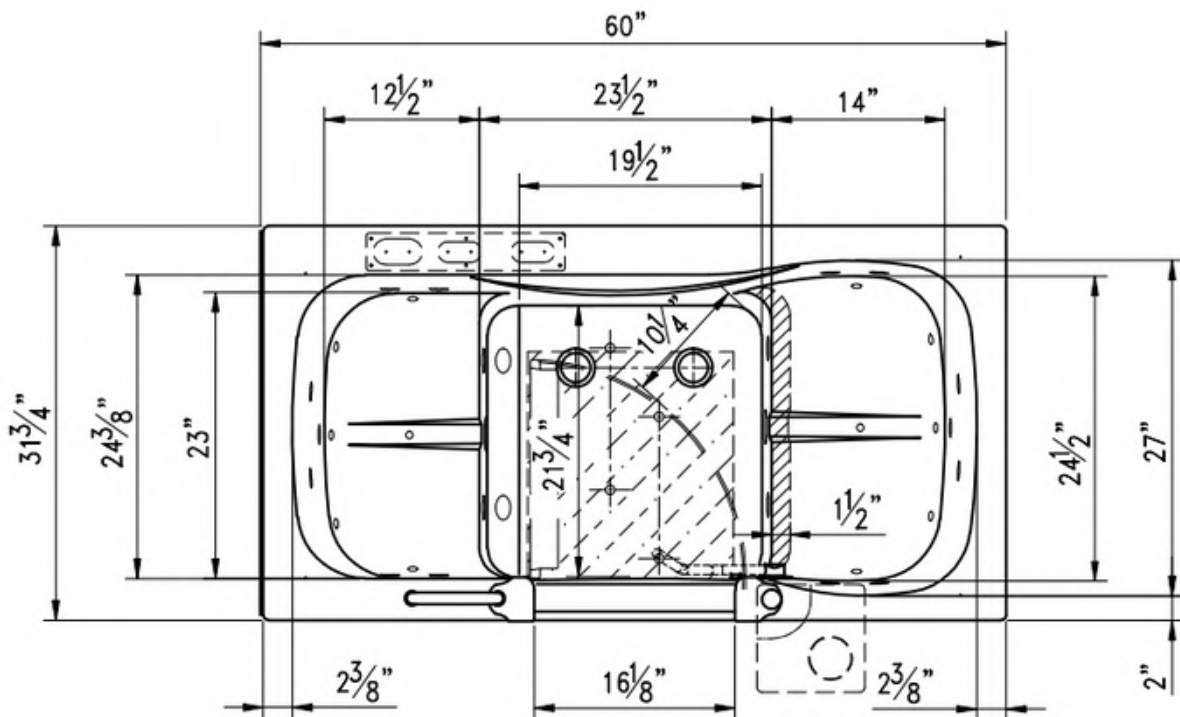
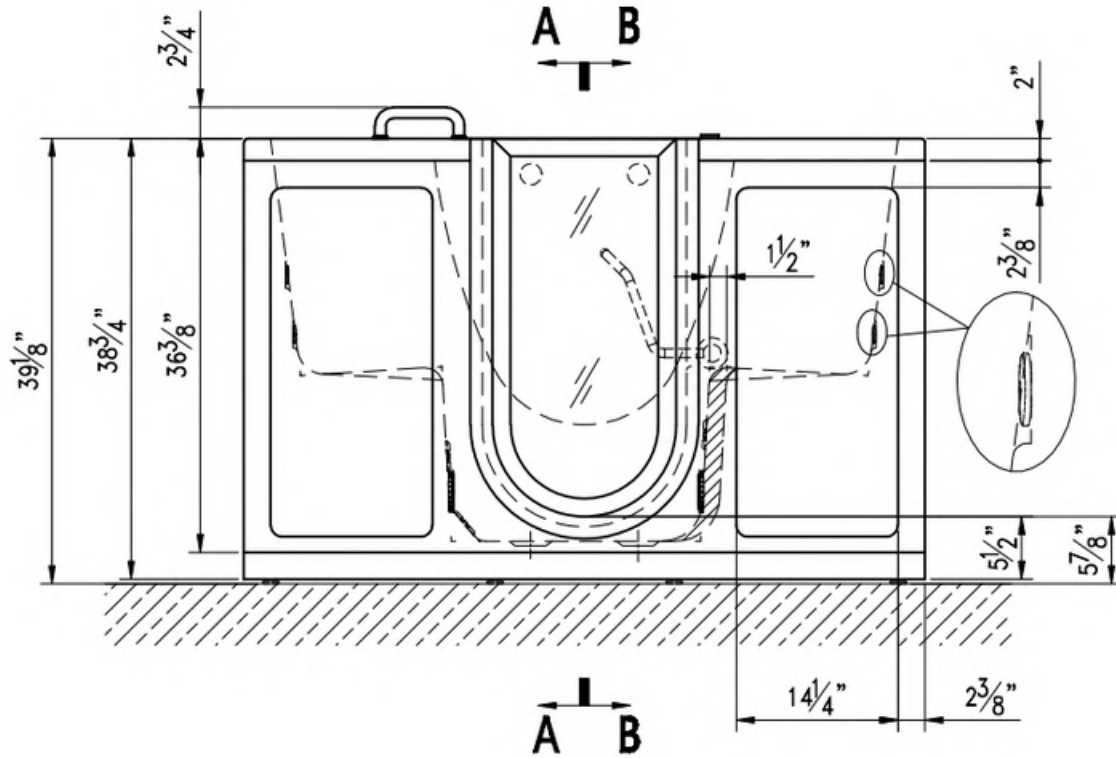
Electrical Requirements

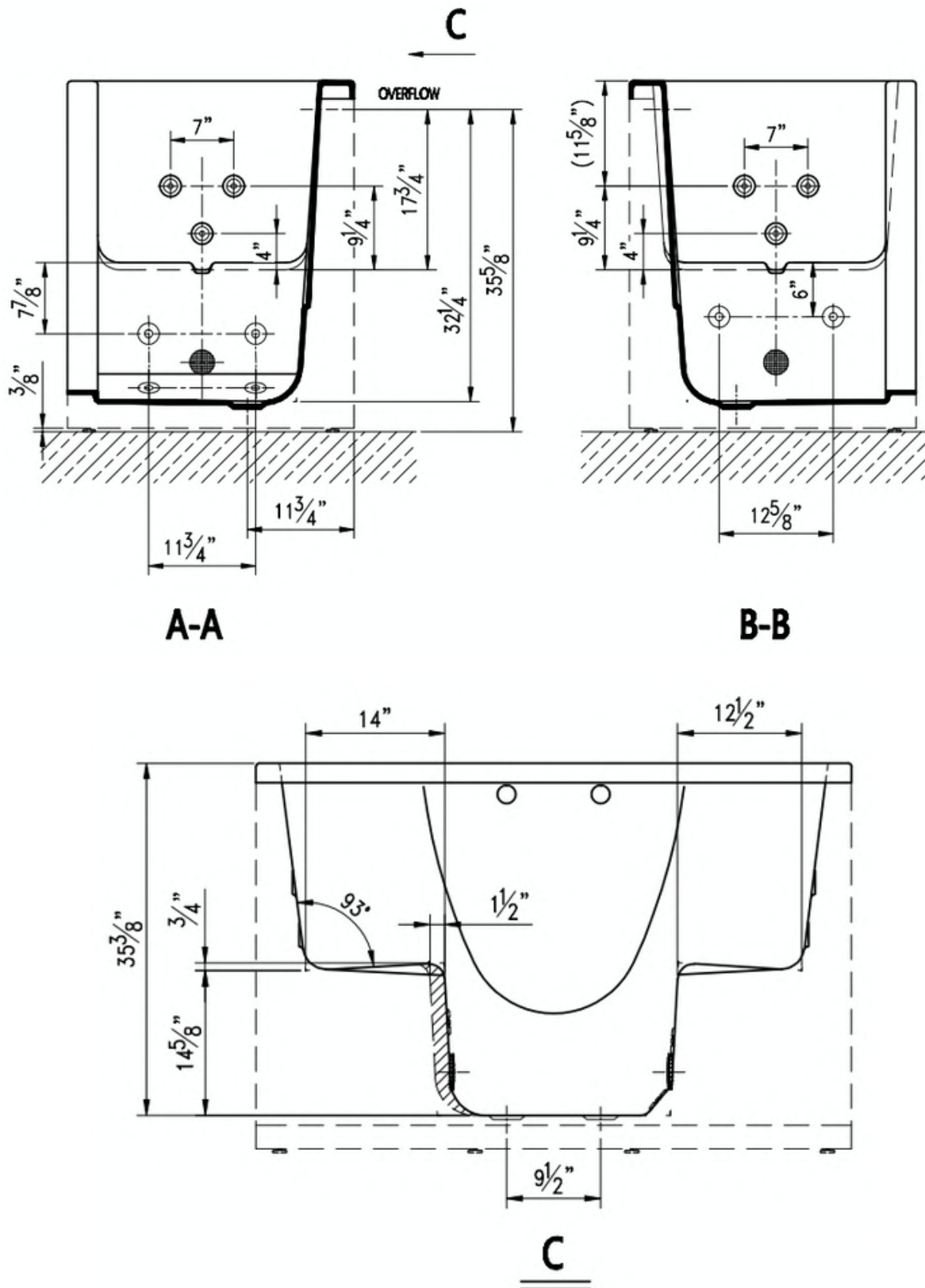
Dedicated GFCI protected electrical line(s) required

Warranty

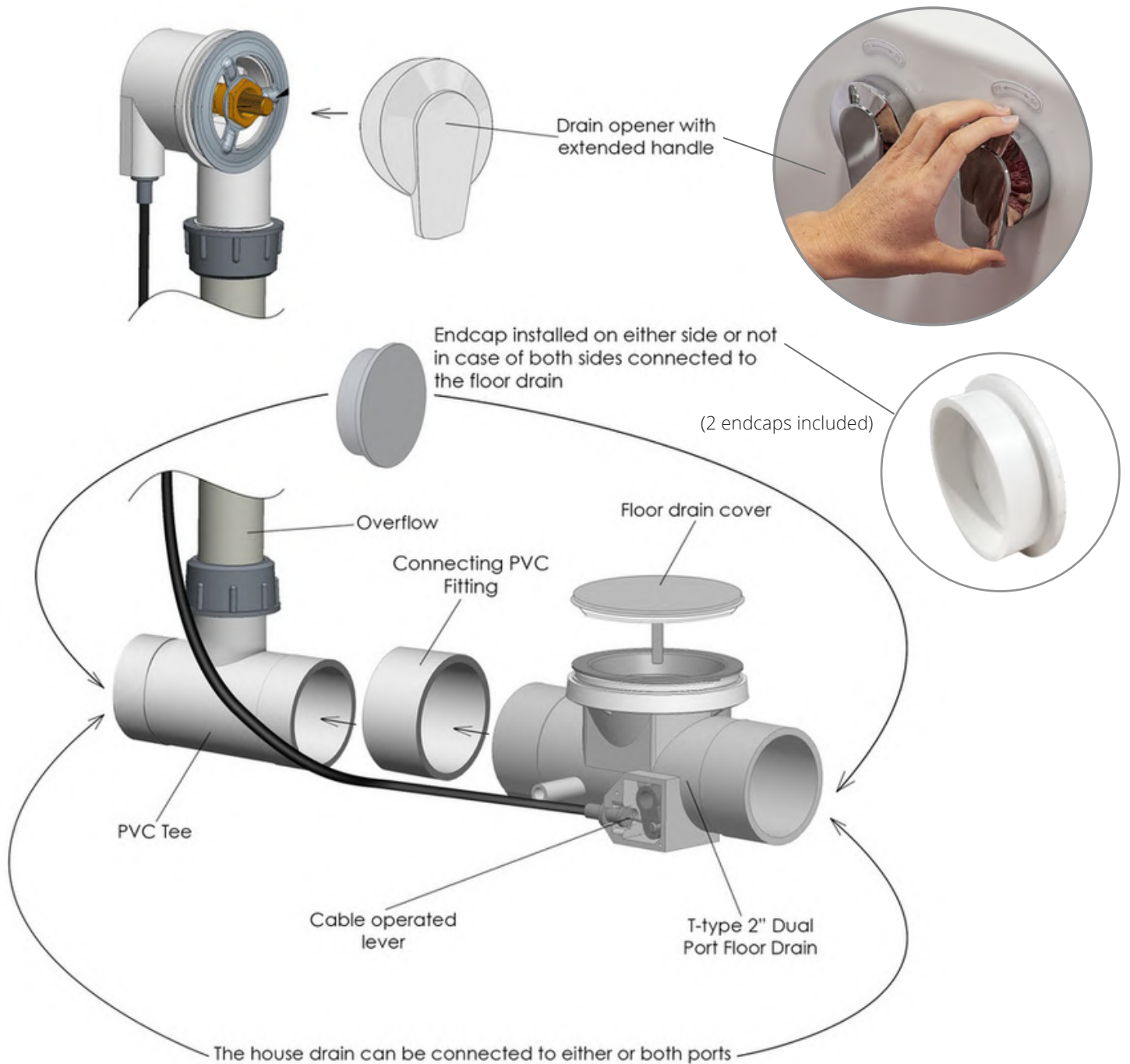
- Lifetime limited* warranty on shell, frame, door, and parts to original purchaser/Address • Labor or installation is not covered - please refer to the Ella warranty certificate
- Non Ella brand faucets covered under manufacturers original warranty

Disclaimer*: AMP value for each pump may change based on availability. Please verify before purchase. (800.480.6850)





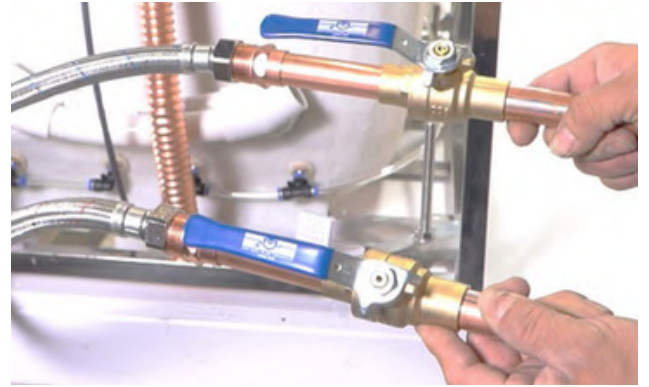
Dual Drain Technology - Two 2 Inch Independent Floor Drains



Two 3/4" connector water supply lines included with Ella Fast Fill Faucets



Connect to Shut
Off Valves
(not included)



All electrical fixtures
connect to a dedicated
GFCI protected outlet.



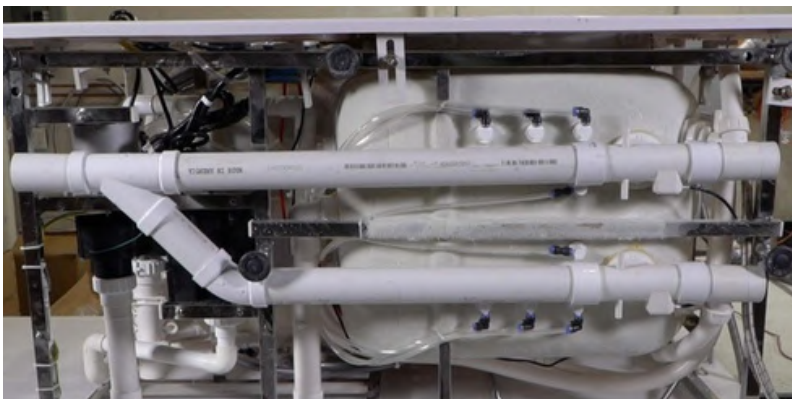
Drain Cap

Use a drain cap to close
unused drain port.



T-Type four (4) 2" drain ports
allow for the drain pipe to be
installed in either direction.

Images below show examples of PVC pipe
connections (not included). Reducers can
be used to connect smaller drain pipes.





Ella 2 Piece Single Lever Fast-Fill Faucet

Description

Solid brass spout chrome finish single lever high flow bathtub faucet with diverter button Two (2) 3/4" 5' braided stainless-steel supply lines Pull out hand shower mixer with 5 settings and 5' braided hose in a Chrome or Brushed Nickel finish.

Flow

- Hand shower is limited to 1.9 GPM (7.5L/min)
- Faucet fill rate designed for 16 GPM (68.1L/min)

Cartridge

- 40mm high flow cartridge design
- Nonmetallic/nonferrous and stainless-steel material

Standards

- Third party certified to meet: CSA B125.1, ASMEA112.18.1, ICC117.1 and all applicable requirements referenced therein
- Certified to ANSI/NSF 61/9
- ADA for lever/handle
- IAPMO R&T UPC certified

NOTE: This faucet is designed to be installed through: 2-1/2" diameter hole for faucet, 1/3" diameter hole for mounting rods, and a 7/8" diagonal hole for the hand shower.

